

# C600E-30C Instructions

---



# CONTENT

1.About the user manual.....	4
2.Outlook and size.....	5
2.1 Material and color .....	5
2.2 Button definition .....	6
3.Function summary.....	7
4.Setup summary .....	8
4.1 Reset trip distance to 0. ....	8
4.2 Backlight setting.....	8
4.3 Max speed limited setting .....	8
4.4 Wheel diameter setting.....	8
4.5 KM/H&MPH.....	8
4.6 Volts setting.....	8
4.7 Riding mode setting. ....	8
4.8 Advance setting.....	9
4.8.1 Current limiting setting .....	9
4.8.2 velocity measurement setting.....	9
4.8.3 Starting magnetic steel number setting.....	9

4.8.4 Throttle 6KM .....	9
4.8.5 Throttle classifying. ....	9
4.8.6 Power level.....	9
4.8.7 Password .....	9
4.8.8 Exit.....	9
4.9 Version information. ....	9
4.10 Save & Exit. ....	9
5.Wire order definition .....	10
6.Common problems and solutions.....	11
7.Quality & Warranty.....	12
8.Error code table .....	13

## **1.About the user manual**

---

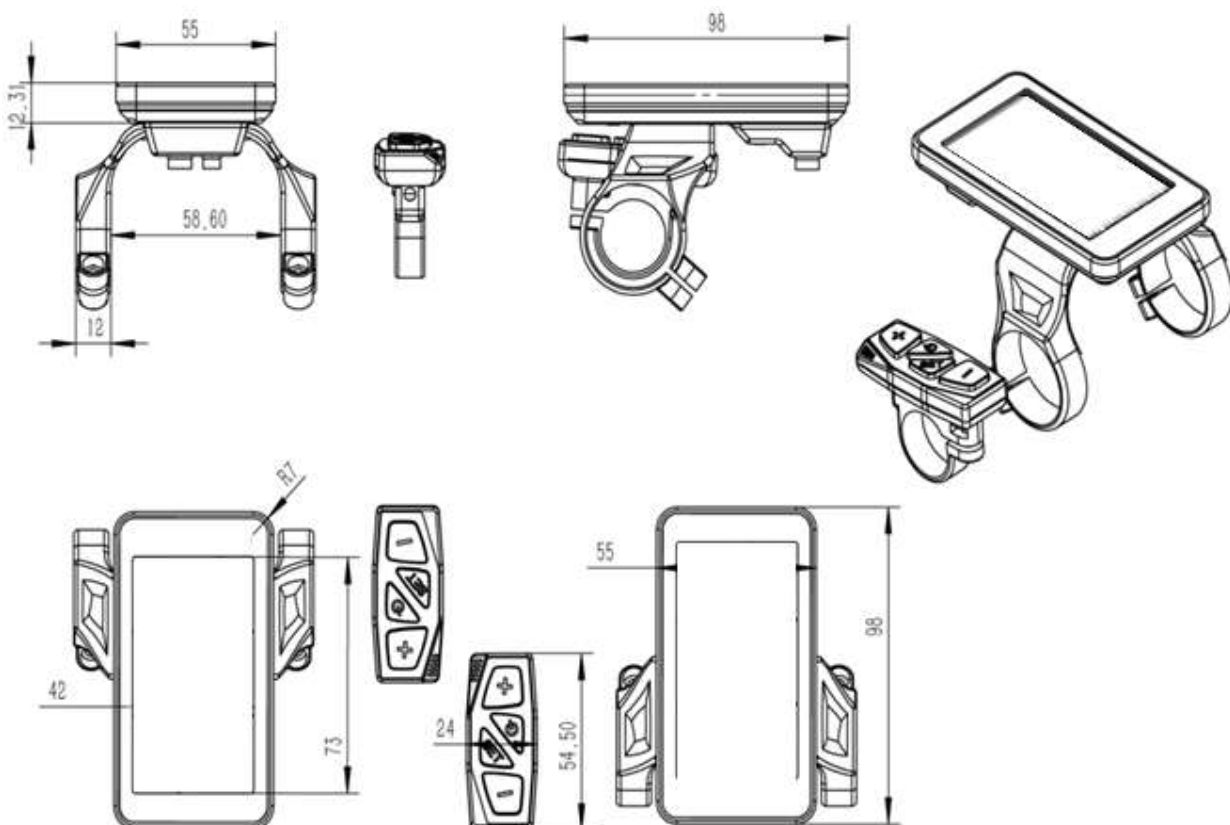
Dear users, in order to operate your electric car better, please read the C600E-30C instrument manual carefully before use. We will tell you every step of the instrument in the most concise language, from hardware installation and setup to normal use of the instrument. At the same time help you solve the confusion and obstacles that may arise.

## 2.Outlook and size

### 2.1Material and color

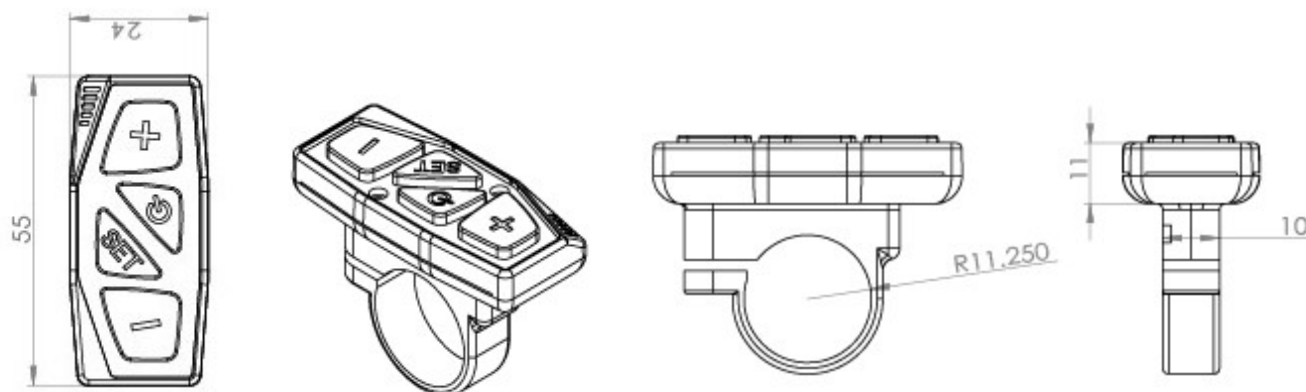
C600E-30C products are made of black Aluminum alloy material and the bracket is made of nylon material. Under the temperature of -20 to 60°C, the shell material can ensure normal usage and good mechanical performance of the products.

Dimension figure (unit: mm).



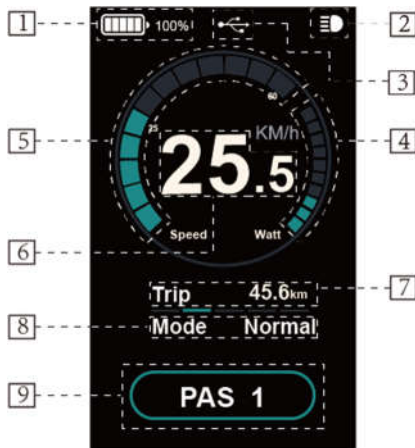
## 2.2 Button definition

C600E-30C has four buttons, including ON/OFF、SET、UP and DOWN.



## 3. Function summary

C600E-30C provides a wide range of functions and indicators to fit the users' needs. The indicated contents are as below:



### 3.1 Electric quantity display:

Display current electric quantity.

### 3.2 Backlight indicator:

With the power on, click the ON/OFF to turn on the backlight and headlight.

### 3.3 USB:

Hold the SET and UP for 5 seconds to get in USB.

### 3.4 Power indicator:

Current real-time output power of motor.

### 3.5 Speed indicator:

Displays real-time speed in the form of a progress bar.

### 3.6 Speed display:

Display the speed at present.

### 3.7 Information display:

◆ Trip: Display the user's single riding mileage.

◆ ODO: The ODO records the driving mileage from using, the accumulated value cannot be cleared.

◆ Time: Display the current time of a single ride.

### 3.8 Riding mode selection:

Three modes for riding, including POWER, NORMAL and ECO. Each mode corresponds to its interface theme skin.

### 3.9 Assist gear display:

◆ PAS: Display the current output power.

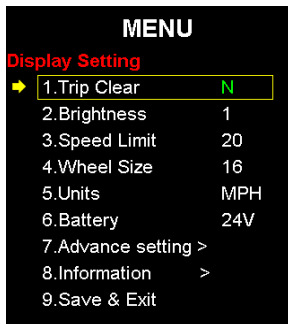
◆ 6KM: Hold the DOWN for 2 seconds to

get in  6KM.

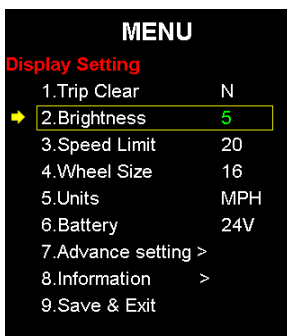
## 4.Setup summary

Click SET 2seconds enter the general setting interface.

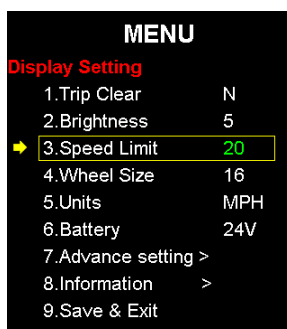
### 4.1 Reset trip distance to 0.



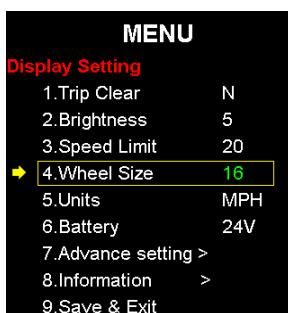
### 4.2 Backlight setting .



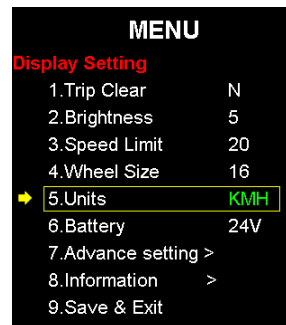
### 4.3 Max speed limited setting.



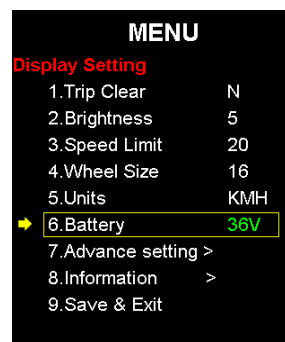
### 4.4 Wheel diameter setting.



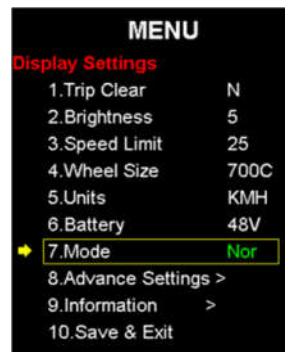
### 4.5 KM/H&MPH.



### 4.6 Volts setting.



### 4.7 Riding mode setting.



ECO





Normal



Power

4.8.3 Starting magnetic steel number setting (2-16) .

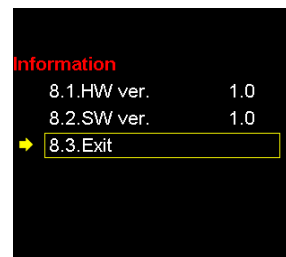
4.8.4 throttle 6KM, Y represents the turning knob into the 6KM pushing mode, and N represents the starting turning knob to the maximum.

4.8.5 throttle classifying, Y Said step, N undivided.

4.8.6 Power level, can set 3、 5、 6、 9.

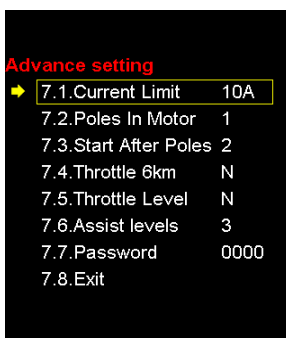
4.8.7 Password: Power-On Password.

4.8.8 Exit .



4.8 Advance setting: click set, enter

Advance setting.



4.8.1 Current limiting setting

(Range:3-18).

4.8.2 velocity measurement setting

(1/6) .

4.9 Information Displays current software and hardware version information, HW: hardware、 SW software.

4.10 Save & Exit: Click “SET” Set up information will be saved and exit.

※When the riding speed is 0 km/h for 5 minutes, the system will go to sleep automatically.

## **5. Wire order definition**

<b>Wires sequence</b>	<b>Wires color</b>	<b>Function</b>
1	Red	Battery+
2	Blue	Weak lock
3	Black	Battery-
4	Green	UART - RECEIVE (RXD)
5	Yellow	UART - SEND (TXD)

## **6.Common problems and solutions**

Q: Why the display is not able to start up?

A: Checking the connector that between display and controller.

Q: How to deal with the error code?

A: Fix it to the maintenance place immediately. If cannot be resolved, you can go to the electric vehicle repair points repair it in a timely manner.

## **7. Quality & Warranty**

---

Any quality problems in normal case and in guarantee period, our company will responsible for the warranty

The warranty time is 18 months from date of purchasing.

Other items:

The following items are not belong to warranty scope

1. It can't be demolished.
2. The damage caused by wrong installation or operation.
3. Shell is broken when display is out of the factory.
4. Wire is broken.
5. Force disaster (such as fire, earthquake, etc.) or natural disasters like lightning, etc caused by fault or damage.
6. Beyond Warranty period.

## 8. Error code table

The error code is corresponding with the fault definition. :

<b>Error code</b>	<b>Definition</b>
0	Normal
1	Current error or MOS damaged
2	Throttle error(Start detection)
3	Motor no phase position
4	Hall error
5	Brake error(Start detection)
6	Under voltage
7	Motor stalling
8	Communication controller receiving error
9	Communication display receiving error